

Sessanta Series

*Add some flavor to your
dine-in space*





ADD SOME *Flavor* TO YOUR DINE-IN SPACE

Upgrade your recycling & waste program with a design that is compatible with your industry's needs. The Sessanta is built with practicality in mind and offers a sleek design on a budget without compromising quality. Adding the Sessanta to your restaurant or food court will maximize your diversion rate while complementing your décor.



102094



102095



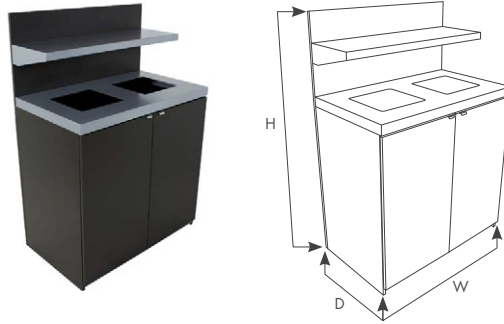
102096



102097

BODY SPECIFICATIONS

Below are the available Body Options for the Sessanta Series. With this measurement guide you will find the right size Sessanta Series container to fit your space. The measurement guide is the essence of various standard measuring methods. All measurements are in inches. Talk to your dedicated Busch Systems [®] sales representative for more information on how to choose the right size container for your space.



BODIES

Body Shape	Height	Width	Depth	Weight	Capacity
Double w/Tray	54"H (1371.6mm)	37"W (939.8mm)	22"D (558.8mm)	132lbs (59.874kg)	64 gal
Triple w/Tray	54"H (1371.6mm)	37"W (939.8mm)	22"D (558.8mm)	138lbs (62.596kg)	69 gal
Double w/Sign Frame	54"H (1371.6mm)	37"W (939.8mm)	22"D (558.8mm)	132lbs (59.874kg)	64 gal
Triple w/Sign Frame	54"H (1371.6mm)	37"W (939.8mm)	22"D (558.8mm)	138lbs (62.596kg)	69 gal

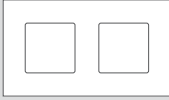
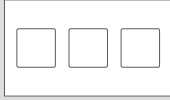
STOCK BODY COLORS



Slate

LID & OPENING SPECIFICATIONS

The chart below outlines the available Lid Opening Options for the Sessanta Series body as well as the associated opening dimensions. Be sure to run a preliminary audit of the popular materials that are discarded where your Sessanta Series containers will be placed. Talk to your dedicated Busch Systems sales representative for more information.

	Double Full	Triple Full
		
Lid Dimensions	21.25" D x 37" W x 2"H 539.75mm D x 939.8mm W x 50.8mm H	21.25" D x 37" W x 2"H 539.75mm D x 939.8mm W x 50.8mm H
Opening Dimensions	11"W x 11"D 279.4mm W x 279.4mm D	8.5"W x 8.5"D 215.9mm W x 215.9mm D

STOCK LID COLORS



Silver

The Bulk Discount Waste Container Experts

Call us for Quantity Discounts and Custom Designs!

866.359.8594 www.trashcanswarehouse.com

STOCK LABELS & SIGNS

These premium labels come standard with a black background and white text. All labels are able to be customized. The stock signs come standard as shown below, and all signs can be customized to match your unique branding and stream requirements.

STOCK LABELS



STOCK SIGNS



NOTE: Because different computers, monitors, and printers render colors and textures differently, actual finishes may vary from those shown here.

IDEAL BAG SIZES

	Double	Triple
Ideal Bag Size (inches)	36 x 39	31 x 39

MATERIAL & CONSTRUCTION DETAILS

Not all recycling & waste receptacles are created equal. Our company policy is never to compromise on our workmanship or the quality material standards we've set. We only recommend and use quality first grade materials on our recycling & waste containers, and source these from OEM's at highly-competitive prices. Being a manufacturer that buys at high-quantities gives significant buying power with companies which in turn saves you money.

The design process, materials used, finishes and manufacturing standards all affect the final product. Every decision is vital to getting the most value for your investment. You deserve recycling & waste containers that meets your demands for quality and durability and will enhance your working environment for years to come.

Component	Material(s)	Construction
Bodies	Coated Composite Board	<ul style="list-style-type: none"> High-density & moisture resistant with excellent dimensional stability
Lids	Powder Coated Steel	<ul style="list-style-type: none"> Platinum powder coat finish
Liners	HDPE	<ul style="list-style-type: none"> Made of 100% post-consumer recycled material
Sign Frames	Powder Coated Steel	<ul style="list-style-type: none"> Platinum powder coat finish

The Bulk Discount Waste Container Experts

Call us for Quantity Discounts and Custom Designs!

866.359.8594 www.trashcanswarehouse.com